

# RT120 TRACTOR ATTACHMENTS



## H932 PLOW

### DIMENSIONS

	U.S.	METRIC
Angle of departure	23°	
Attachment length	69 in	1.73 m
Cover depth	36 in	920 mm
Attachment weight, w/out plow blade	2,400 lb	1100 kg

## H952 TRENCHER/PLOW COMBO

### DIMENSIONS

#### TRENCHER

Trench depth, max	70 in	1.78 m
Trench width	6-12 in	150-300 mm
Transport length	126 in	3.2 m

#### PLOW

Attachment length, fully lowered, no blade	103 in	2.62 m
Cover depth	36 in	915 mm
Attachment weight w/out boom, chain or plow blade	3,065 lb	1390 kg

## H910 CENTERLINE TRENCHER

### DIMENSIONS

Trench depth, max	97 in	2.46 m
Trench width, max	24 in	610 mm
Transport length	112 in	2.85 m
Attachment weight, w/out boom and chain	1,750 lb	794 kg

## H911 TRAVERSING TRENCHER

### DIMENSIONS

Angle of departure	27°	
Trench depth, max	90 in	2.29 m
Trench width, max	24 in	610 mm

## H1140 SAW

### DIMENSIONS

Angle of departure	21°	
Trench depth	40 in	1.02 m
Quantity of cutting teeth on wheel		
4.5-in width	70	
6-in width	80	
9-in width	110	
Attachment length, wheel on ground	252 in	6.4 m
Attachment weight	5,900 lb	2676 kg

## A920 BACKHOE

### DIMENSIONS

Digging depth, max	112 in	2.8 m
Reach from swing pivot	158 in	4 m
Bucket width	12-24 in	305-610 mm
Backhoe weight, w/18-in (686-mm) bucket	3,300 lb	1497 kg
Swing arc	180°	

## RC120 REEL CARRIER

### DIMENSIONS

Reel diameter, max	84 in	2.13 m
Internal width	54 in	1.37 m
Capacity	2,500 lb	1134 kg
Attachment weight, w/six 96-lb (44-kg) counterweights	1,600 lb	726 kg



# RT120 TRACTOR SPECIFICATIONS

## DIMENSIONS

	U.S.	METRIC
Height (H1)	115 in	2.92 m
Length, nose to rear mount (L1)	125 in	3.17 m
Length, transport (L2)	154 in	3.91 m
Wheelbase (L4)	79 in	2 m
Width (W2)	82 in	2.1 m
Angle of approach (A2)	25°	
Tread (W4)	64 in	1.63 m

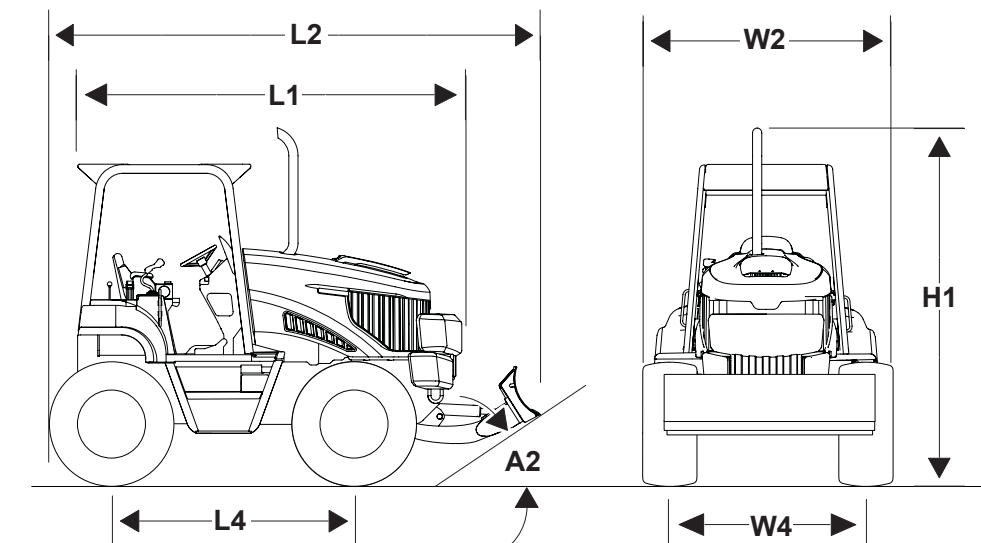
## POWER

Engine	Deutz® TCD3.6L4	
Fuel	Diesel	
Cooling medium	Liquid	
Injection	Direct	
Aspiration	Turbocharged, charge air cooled	
Number of cylinders	4	
Displacement	221 in <sup>3</sup>	3.6 L
Bore	3.86 in	98 mm
Stroke	4.72 in	120 mm
Manufacturer's gross power rating (SAEJ1349)	121 hp	90 kW
Rated speed	2,300 rpm	
Engine tilt angles, max		
Longitudinal/lateral	30°	
Emissions compliance	EPA Tier 4i	EU Stage IIIb
Emissions compliance (rest of world)	EPA Tier 3	EU Stage IIIa

## POWER TRAIN

Ground drive transmission	Hydrostatic	
Differentials	Planetary front and rear w/optional rear steering	
Service brake	Hydrostatic disc, foot operated	
Parking brake	Disc, hand operated	
Tires	38 x 18-20 14-ply bar lug flotation; inflate to 72 psi (4.9 bar)	
Attachment drive transmission	Hydrostatic, lever-operated speed infinitely variable from zero to max	

Specifications are general and subject to change without notice. If exact measurements are required, equipment should be weighed and measured. Due to selected options, delivered equipment may not necessarily match that shown.



## OPERATION

	U.S.	METRIC
Forward speed		
Low/low	0.5 mph	0.8 km/h
Low/high	1.3 mph	2.1 km/h
High/low	4.5 mph	7.2 km/h
High/high	9.2 mph	14.8 km/h
Reverse speed		
Low/low	0.5 mph	0.8 km/h
Low/high	1.3 mph	2.1 km/h
High/low	3.2 mph	5.1 km/h
High/high	5.5 mph	8.8 km/h
Vehicle clearance circle (SAE) wall to wall w/optional backfill blade		
Front steer only	34.3 ft	10.4 m
Front and rear steer	20.8 ft	6.3 m
Ground clearance	14 in	356 mm
Basic unit weight	8,700 lb	3946 kg
Allowable tractor weight, max	19,300 lb	8754 kg
Front counterweight	1,300 lb	590 kg
Side counterweight (each)	250 lb	114 kg

## HYDRAULIC SYSTEM @ 2,300 RPM

Ground drive pump capacity	27.9 gpm	106 l/min
Ground drive pump relief pressure	5,000 psi	345 bar
Auxiliary pump capacity	13.6 gpm	51.5 l/min
Auxiliary pump relief pressure	2,500 psi	172.4 bar

## FLUID CAPACITIES

Fuel tank	38 gal	144 L
Engine oil	8.5 qt	8 L
Hydraulic reservoir	24 gal	91 L
Hydraulic system	29 gal	110 L
Cooling system	12.3 qt	11.6 L

## BACKFILL BLADE

Blade width	80 in	2.03 m
Blade height	17 in	430 mm
Lift height above ground	21 in	530 mm
Blade drop below ground	11 in	280 mm
Swing angle, max, left/right	30°	
Tilt angle, up/down	24°	